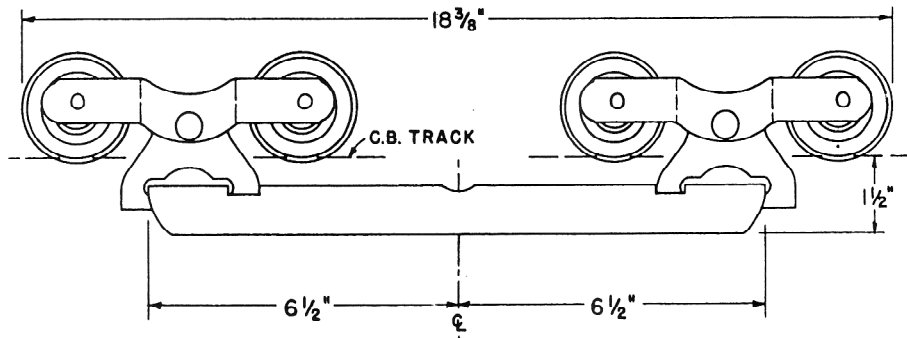


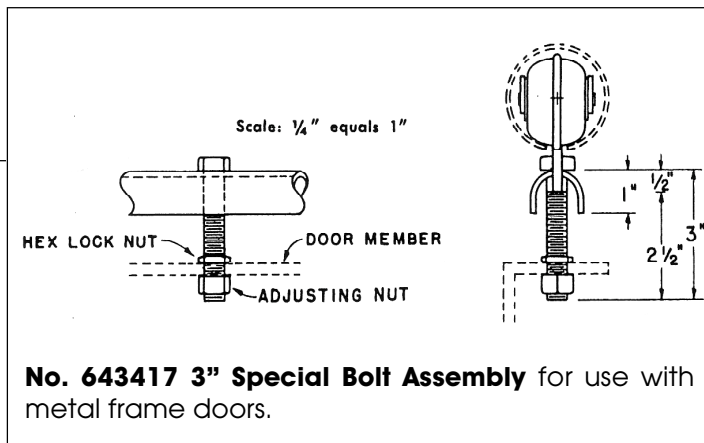
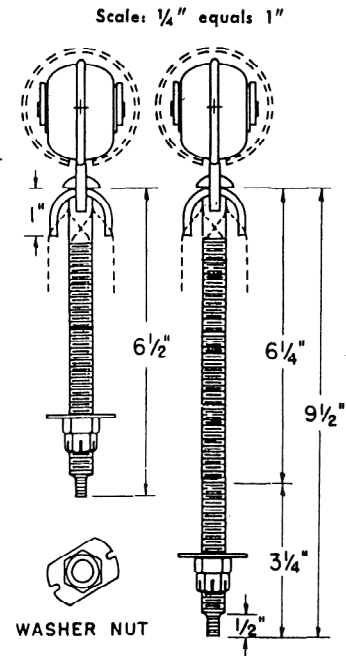
SPECIFICATIONS

CB-9

643437 DOUBLE-TRUCK, ADJUSTABLE TROLLEY HANGERS



Double Truck Trolley Hanger for use with wood frame doors. use either 462046 6-1/2" adjustable Pendant bolt assembly or 462033 9-1/2" adjustable Pendant bolt assembly.



No. 643417 3" Special Bolt Assembly for use with metal frame doors.

- Never use more than 1 pair per door leaf.
- Finish: - galvanized.
- Weight pr.: 643416 - 10 lbs.
- Weight pr.: 642034 - .3 lbs.
- Weight pr.: 462033 - .5 lbs.
- Weight pr.: 462046 - .4 lbs.

Door Thickness: Variable

Door Leaf Weight Steel: Up to 800 lbs. per pair with 13-gauge track with 18" bracket spacing; up to 600 lbs. per pair with 14-gauge track

Vertical Adjustment: Variable - to within 1-5/8" of Track

Lateral Adjustment: 9-1/2" Lg. Bolt 3/4" adj. 3" Lg. Bolt - Slotted Door Frame Required

Suspension Bolt: 1/2" Diameter Zinc-plated bolts



