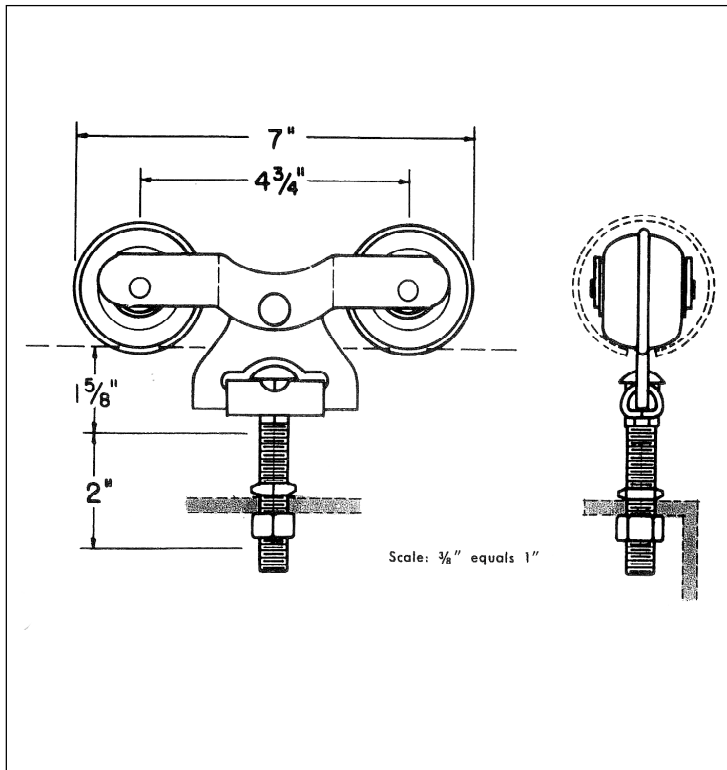


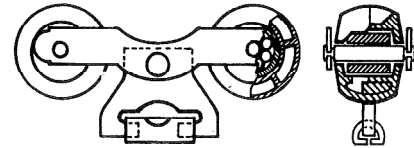
SPECIFICATIONS

CB-8

DELRIN & STEEL SINGLE-TRUCK, ADJUSTABLE TROLLEY HANGERS FOR USE WITH METAL FRAME DOORS



NEW DELRIN TROLLEY



Quiet-running, corrosive-resistant DuPont Delrin, combined with the easy-running, long-lasting benefits of CannonBall needle-bearing design. Lower friction. Available in **all** popular CannonBall trolley systems.

- Never use more than 1 pair per door leaf.
- Finish: - galvanized.
- Packed 20 single trolleys per carton.
- Weight 2 pounds each.

Door Thickness: Variable

Door Leaf Weight Steel: Up to 400 lbs. per pair with 13- or 14-gauge track

Delrin: Up to 450 lbs. per pair with 14-gauge track
Up to 600 lbs. per pair with 13-gauge track
Up to 1000 lbs. per pair with 13-gauge track, with universal side brackets on 12" spacing

Rods: 2 provided; 1/2" dia. Zinc-plated

Vertical Adjustment: Up to 2 inches

Lateral Adjustment: Slotted doorframe hole required

Suspension Bolt: 1/2 - 13 zinc-plated bolt, hex lock nut and adjusting nut

