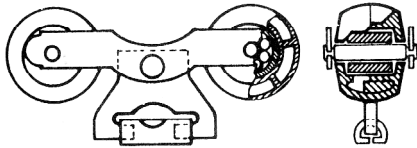


SPECIFICATIONS

CB-5

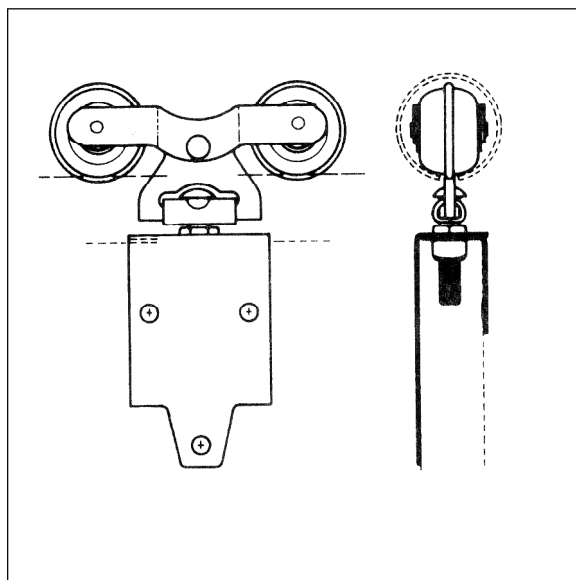
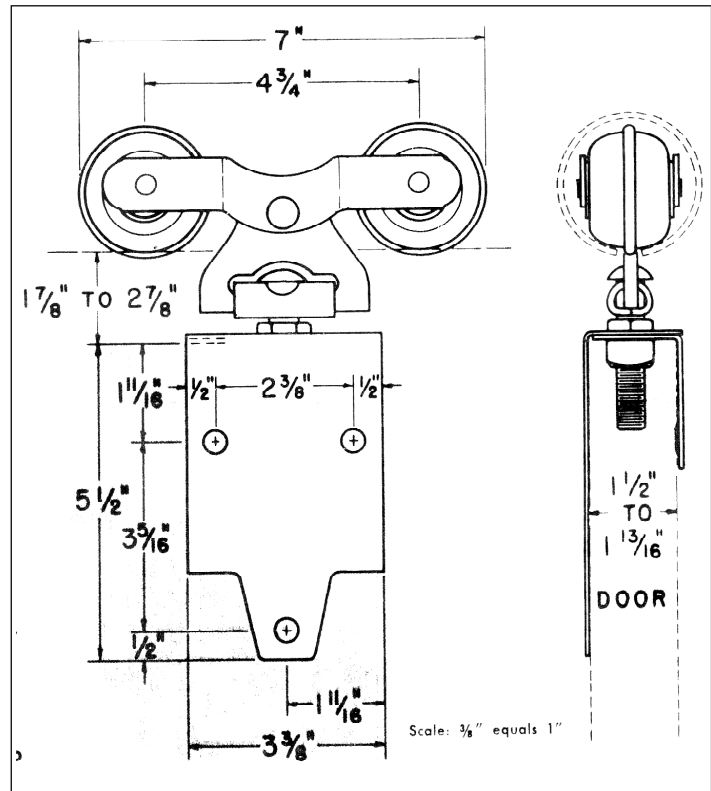
DELRIN & STEEL GALVANIZED SINGLE-TRUCK, ADJUSTABLE TROLLEY HANGERS

NEW DELRIN TROLLEY



Quiet-running, corrosive-resistant DuPont Delrin, combined with the easy-running, long-lasting benefits of CannonBall needle-bearing design. Lower friction. Available in **all** popular CannonBall trolley systems.

- Never use more than 1 pair per door leaf.
- Finish: - galvanized.
- Packed 6 pair per carton. Each pair packed in individual box with fasteners, adjusting wrench and two End Caps.
- Weight per pair 6.7 lbs.



Door Thickness: 1- 1/2 to 1-13/16 inches

Door Leaf Weight Steel: Up to 400 lbs. per pair with 13 - or 14 - gauge track

Delrin: Up to 450 lbs. per pair with 14-gauge track

Vertical Adjustment: 1 inch

Lateral Adjustment Pendant Bolt: 1 to 1 - 3/4 inches

Pendant Bolt: 1/2 - 13 zinc-plated bolt, hex lock nut and adjusting nut

Door Strap: 2-piece

Strap Thickness: .109 inch

Strap Nuts and Bolts: Zinc-plated



