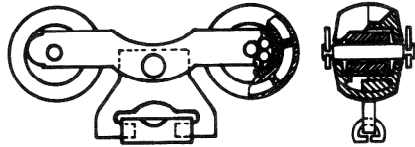


SPECIFICATIONS

CB-7

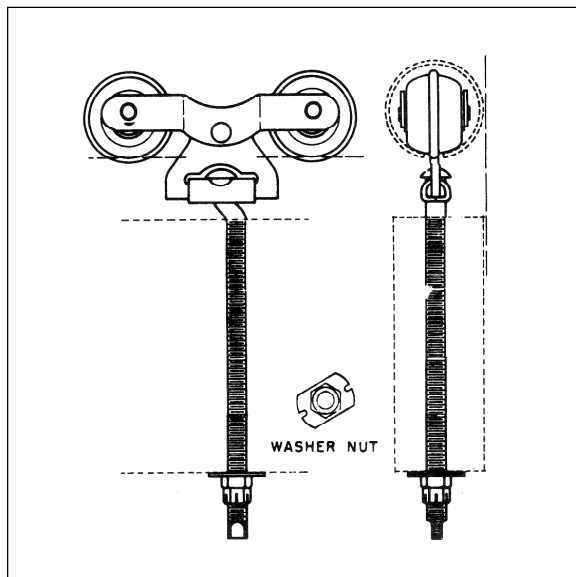
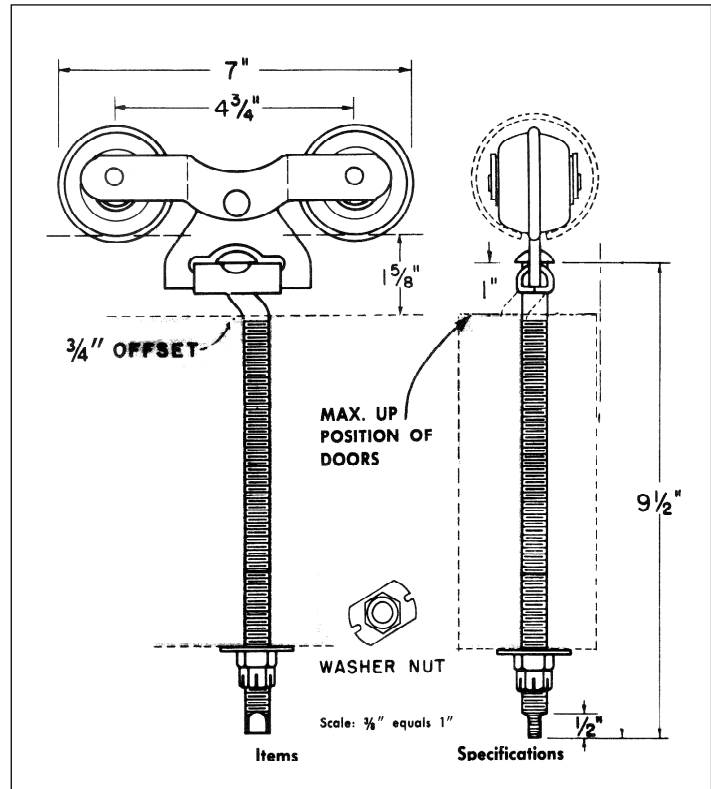
DELRIN TROLLEY

NEW DELRIN TROLLEY



Quiet-running, corrosive-resistant DuPont Delrin, combined with the easy-running, long-lasting benefits of CannonBall needle-bearing design. Lower friction. Available in **all** popular CannonBall trolley systems.

- Never use more than 1 pair per door leaf
- Finish: zinc-plated
- Packed 20 single trolleys per carton (10 pairs)
- Weight each 2.15 lbs.



Door Leaf Weight Steel: Up to 400 lbs. per pair with 13- or 14-gauge track

Delrin: Up to 450 lbs. per pair with 14-gauge track
Up to 600 lbs. per pair with 13-gauge track.
Up to 1000 lbs. per pair with 13-gauge track, with universal side brackets on 12" spacing

Vertical Adjustment: 5/8" with 2" x 4" top door member

Lateral Adjustment Pendant Bolt: 1-1/2" over all.

Pendant Bolt: Requires 9/16" vertical hole in top rail of door frame. Use 643372 Drill Jig for drilling accurate vertical mounting holes in wooden members



