

CannonBall:HNP Square Track System

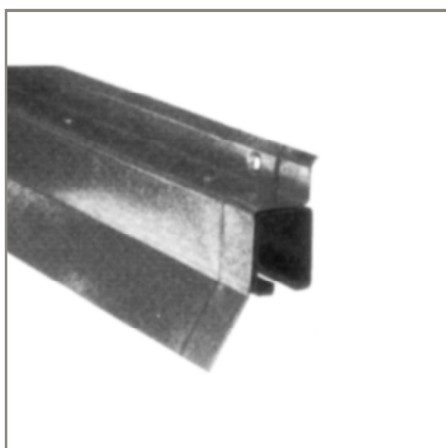
A versatile track system designed for flexibility and economy for use on doors weighing up to 400 lbs.

Constructed of durable 16 gauge galvanized steel using riveted construction. Can be used to make single or double track runs.

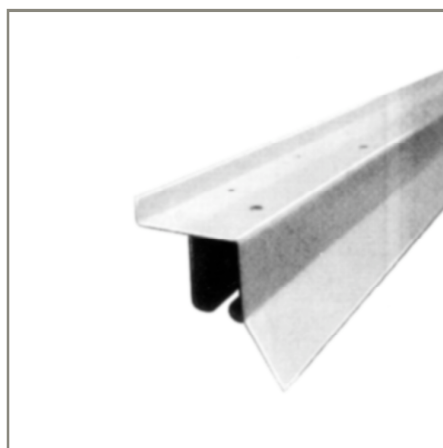
Face mounted or top mounted applications are quick and easy.

Square-Track™ System featuring:

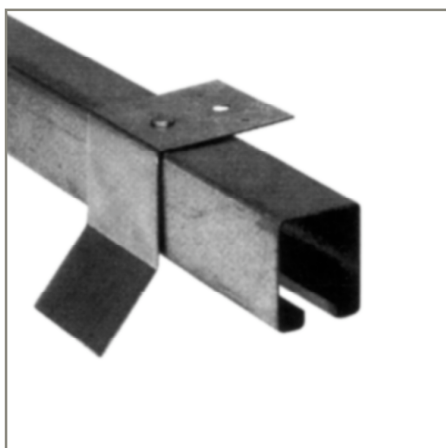
- Square-Track™ available in 8-20 ft. lengths.



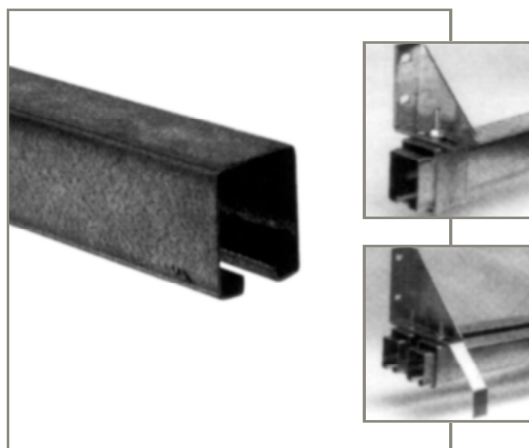
Face Mount with Galvanized 18 Gauge Cover, one piece track system.



Top Mount with White Painted 18 Gauge Cover, one piece track system.






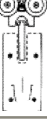



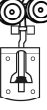

Top Mount with Bracket, riveted brackets on 2 foot centers.



Square-Track™ and Accessories.



555 Lawton Avenue, P.O. Box 835 | Beloit, Wisconsin 53512-0835
 Phone: 608-365-2161 | Fax: 608-365-4565 | Toll Free: 800-766-2825
www.cnbhnp.com

	Part No. Description	Ship Wt.	Unit Pkg.
	714253 9-1/2" Vertical Adj. Bolt Trolley Hanger Assembly with Roller Bearings. Removable bolt assembly, single hex nut for adjusting in and out, single hex nut for adjusting vertically. Allows maximum vertical adjustment, easy to replace, easy access at front of door for adjusting and for adjustment up to 4" vertically.	4.4 lbs./pair	pair
	714004 9-1/2" 4-Way Adj. Offset "Pendant Bolt" Trolley Hanger Assembly. Allows door to be adjusted up or down or moved in or out by pendant bolt. May be used on all doors using wood or metal framing and not weighing over 400#. Packed two trolleys per box with end caps.	4.7 lbs./pair	pair
	714943 9-1/2" 4-Way Adj. Offset "Pendant Bolt" Trolley Hanger with Delrin Bearings. Delrin bearings for smooth operation. Allows door to be adjusted up or down or moved in or out by pendant bolt. May be used on all doors using wood or metal framing and not weighing over 400#.	5 lbs./pair	pair
	714005 9-1/2" 4-Way Adj. Offset "Pendant Bolt" Trolley Hanger with Roller Bearings. Roller bearings for smooth operation. Allows door to be adjusted up or down or moved in or out by pendant bolt. May be used on doors using wood or metal framing and not weighing over 400#. Packed two trolleys per box with end caps.	4 lbs./pair	pair
	714387 6" Straight Bolt Thru Trolley Hanger. With roller bearings for smooth operation.	4.5 lbs./pair	pair
	714938 8" Straight Bolt Thru Trolley Hanger. With roller bearings for smooth operation.	4.5 lbs./pair	pair
	714008 4-Way Galvanized Adjustable Trolley Hanger Assembly. Recommended for solid wood doors up to 1-13/16" thick and not weighing over 400#. Packed two trolleys per box with end caps.	5.2 lbs./pair	pair
	714942 4-Way Galvanized Adjustable Trolley Hanger with Delrin Bearings. Delrin bearings for smooth operation. Recommended for solid wood doors up to 1-13/16" thick and not weighing over 400#.	5 lbs./pair	pair
	714010 4-Way Galvanized Adjustable Trolley Hanger with Roller Bearings. Roller bearings for smooth operation. Recommended for solid wood doors up to 1-13/16" thick and not weighing over 400#. Packed two trolleys per box with end caps.	5.3 lbs./pair	pair
	714963 4-Way Galvanized Adjustable Trolley Hanger with Roller Bearings. Front and rear mounting straps. Roller bearings for smooth operation. Recommended for outside doors up to 1-13/16" thick and not weighing over 400#. Packed two trolleys per box with end caps.	6.0 lbs./pair	pair
	715107 Outside Adjustable Trolley Hanger with Delrin Bearings. Delrin bearings for smooth operations. That allows adjustment from outside the door. Recommended for outside doors up to 1-13/16" thick and not weighing over 400#.	5.3 lbs./pair	pair