



PRO-TRACK™ DOOR TRACK SYSTEM

Pro-Track™ Door Track System

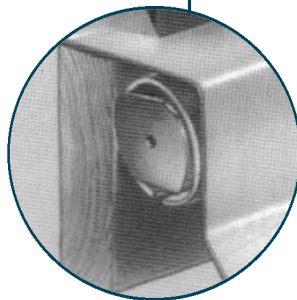
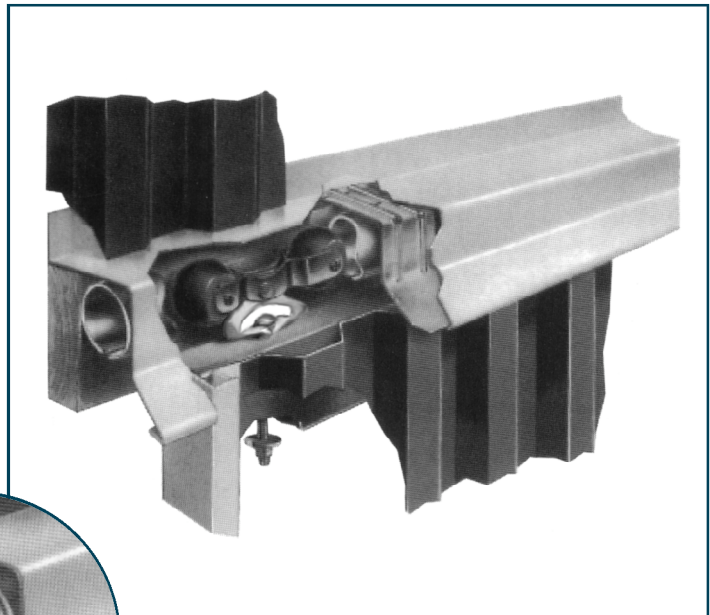
Use with wood or metal door frames for professional quality agricultural or commercial building construction.

Riveted construction provides an attractive look, while holding loads up to 1000 lbs.,* when used with double truck trolley.

Top-mounted 14 gauge galvanized track with ribbed brackets riveted in place every 2 feet.

Pro-Track™ System featuring:

- Weather protection of doors up to 4 1/4" in thickness and weighing up to 600 lbs. on single trolleys, and 1000 lbs. with double truck trolleys.
- CannonBall cover is standard white. Various colors available from cover trim manufacturers.
- All CannonBall trolley systems can be used.
- Trouble-free installation.
- Heavy-duty construction, available in 2 ft. increment lengths 8-20 ft.





555 Lawton Avenue, P.O. Box 835 | Beloit, Wisconsin 53512-0835
p. 608.365.2161 | f. 608.365.4565 | Toll Free. 800.766.2825 | www.cnbhnp.com

©2006 rev. 7.17.06