



SQUARE-TRACK™ DOOR TRACK SYSTEM

Square-Track™ Door Track System

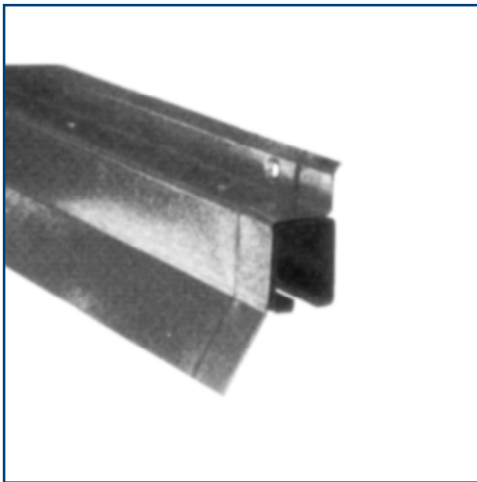
A versatile track system designed for flexibility and economy for use on doors weighing up to 400 lbs.

Constructed of durable 16 gauge galvanized steel using riveted construction. Can be used to make single or double track runs.

Face mounted or top mounted applications are quick and easy.

Square-Track™ System featuring:

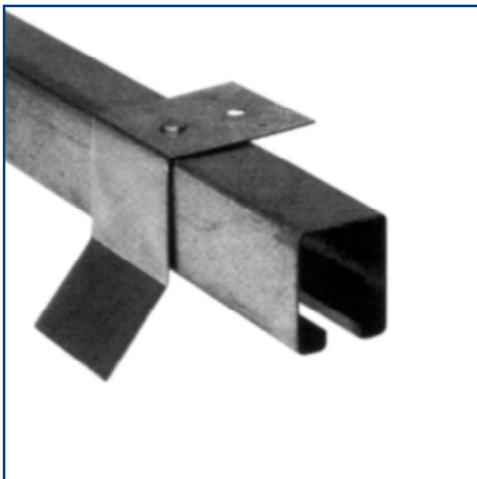
- Square-Track™ available in 8-20 ft. lengths.



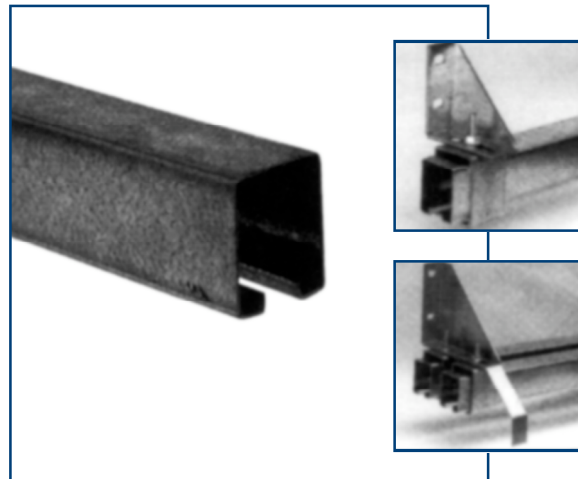
Face Mount with Galvanized 18 Gauge Cover, one piece track system.



Top Mount with White Painted 18 Gauge Cover, one piece track system.



Top Mount with Bracket, riveted brackets on 2 foot centers.



Square-Track™ and Accessories.



555 Lawton Avenue, P.O. Box 835 | Beloit, Wisconsin 53512-0835
p. 608.365.2161 | f. 608.365.4565 | Toll Free. 800.766.2825 | www.cnbhnp.com

©2006 rev. 7.17.06