



BRACKETRACK™ DOOR TRACK SYSTEM

Bracketrack™ Door Track System

Use with wood or metal door frames for professional quality agricultural or commercial building construction.

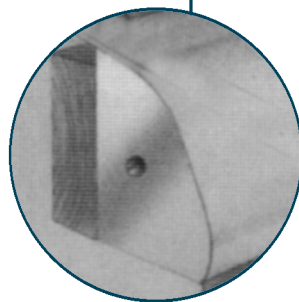
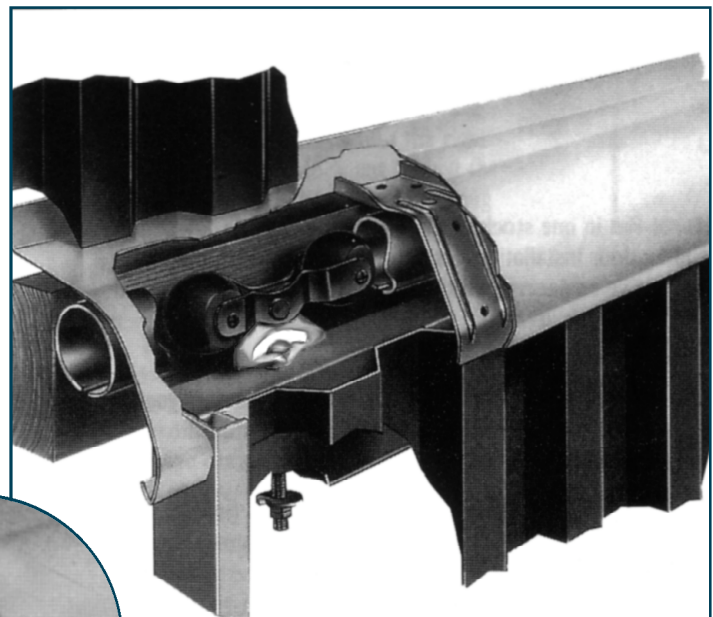
Top-mounted or face-mounted 14 gauge galvanized track for use with or without cover.

Riveted construction provides an attractive look, built to last the life of the building.

For the added flexibility of choosing unattached brackets, specify CannonBall Key-Hole™ Track System.

Bracketrack™ System featuring:

- Weather protection of doors up to 3 3/4" in thickness and weighing up to 600 lbs. on single trolleys, and 1000 lbs. with double truck trolleys.
- CannonBall cover is standard white. Various colors available from cover trim manufacturers.
- All CannonBall trolley systems can be used.
- Trouble-free installation.
- Heavy-duty construction, available in 2 ft. increment lengths 8-20 ft.





555 Lawton Avenue, P.O. Box 835 | Beloit, Wisconsin 53512-0835
p. 608.365.2161 | f. 608.365.4565 | Toll Free: 800.766.2825 | www.cnbhnp.com

©2006 rev. 7.17.06