



# BOLT-HUNG™ DOOR TRACK SYSTEM

## Bolt-Hung™ Door Track System

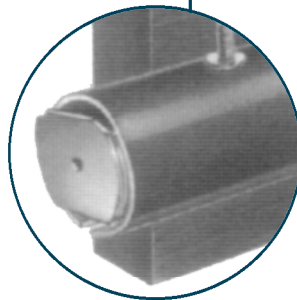
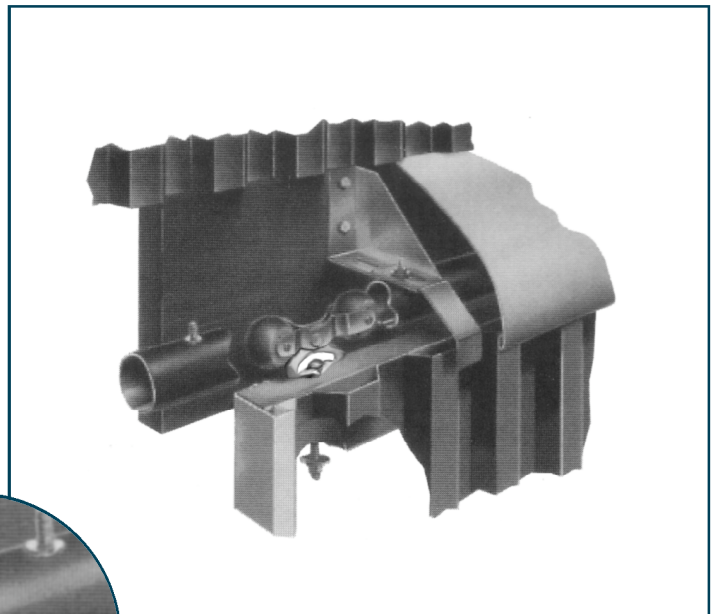
A versatile, rugged track system designed and built to last the life of the building.

Use with wood or metal door frames for professional quality agricultural and commercial building construction.

Designed for easy installation, bolts are pre-riveted every 2 feet to the 14 gauge galvanized track.

## Bolt-Hung™ System featuring:

- Weather protection of doors up to 3 3/4" in thickness and weighing up to 600 lbs. on single trolleys, and 1000 lbs. with double truck trolleys.
- All CannonBall trolley systems can be used.
- Heavy-duty construction, available in lengths 6-20 ft.
- Track is shipped with thread protectors on each bolt.
- Choose from two different mounting brackets.





555 Lawton Avenue, P.O. Box 835 | Beloit, Wisconsin 53512-0835  
p. 608.365.2161 | f. 608.365.4565 | Toll Free. 800.766.2825 | [www.cnbhnp.com](http://www.cnbhnp.com)

©2006 rev. 7.17.06