



3000 SERIES BALE DOOR INSTALLATION INSTRUCTIONS

Frame Package Contents:

- (1) Hinge Jamb 1/2
- (1) Latch Jamb 1/2
- (2) Top Jamb (1 used top - 1 bottom)
- (1) Hardware Package Containing: Hinge Pins, Latch, Barrel Bolt and screws for assembly.

Panel Package Contents:

- (1) Assembled Panel - Individually cartoned

STEP 1

Build rough opening to 48-7/8" x 43-1/2". See Figure B.

STEP 2

Install Hinge frame first (based on the swing, left hand is on left side and right hand is on the right side). Plumb and level jamb before securing with screws. Attach a 2 x 4 under the frame, between the hinge locations.

STEP 3

Install Top Jamb, sliding edge of top between hinge jamb and rough buck lumber. If enough room is not available, you may have to saw cut to allow. Make sure top jamb is level and overlapping jamb about a 1/4". Secure with screws, but do not tighten until latch is installed.

STEP 4

Install Latch Jamb; top jamb should be flush with side of latch jamb. Make sure jamb is level and plumb. Secure with screws and tighten screws on top jamb. Note: Horizontal dimension should be 48-5/8" from jamb to jamb where door panel sets into. The vertical dimension should be 43-1/4" from jamb to jamb after bottom is installed.

STEP 5

Repeat Step 3 for bottom jamb.

STEP 6

Door panel is universal. Determine the bottom of the panel and drill (3) small 1/8" holes in panel. See Figure D.

STEP 7

Install (2) rubber bumpers for panel edge into holes pre-punched on latch jamb.

STEP 8

Install latch per instructions. See Figure E. (if used)

STEP 9

Install barrel bolt to back of panel per instructions. See Figure F. (if used)

TOP VIEW OF SIDE JAMB

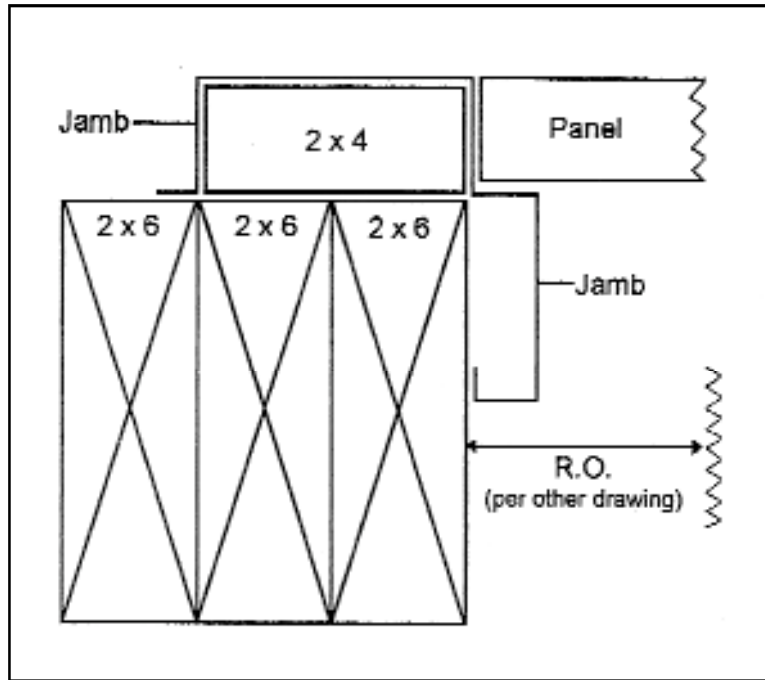


FIGURE B

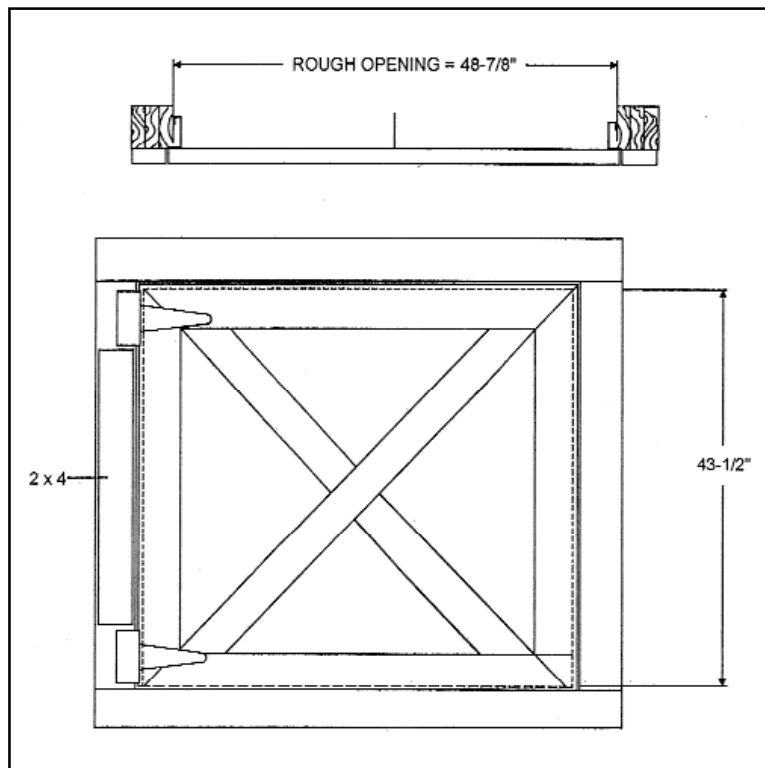
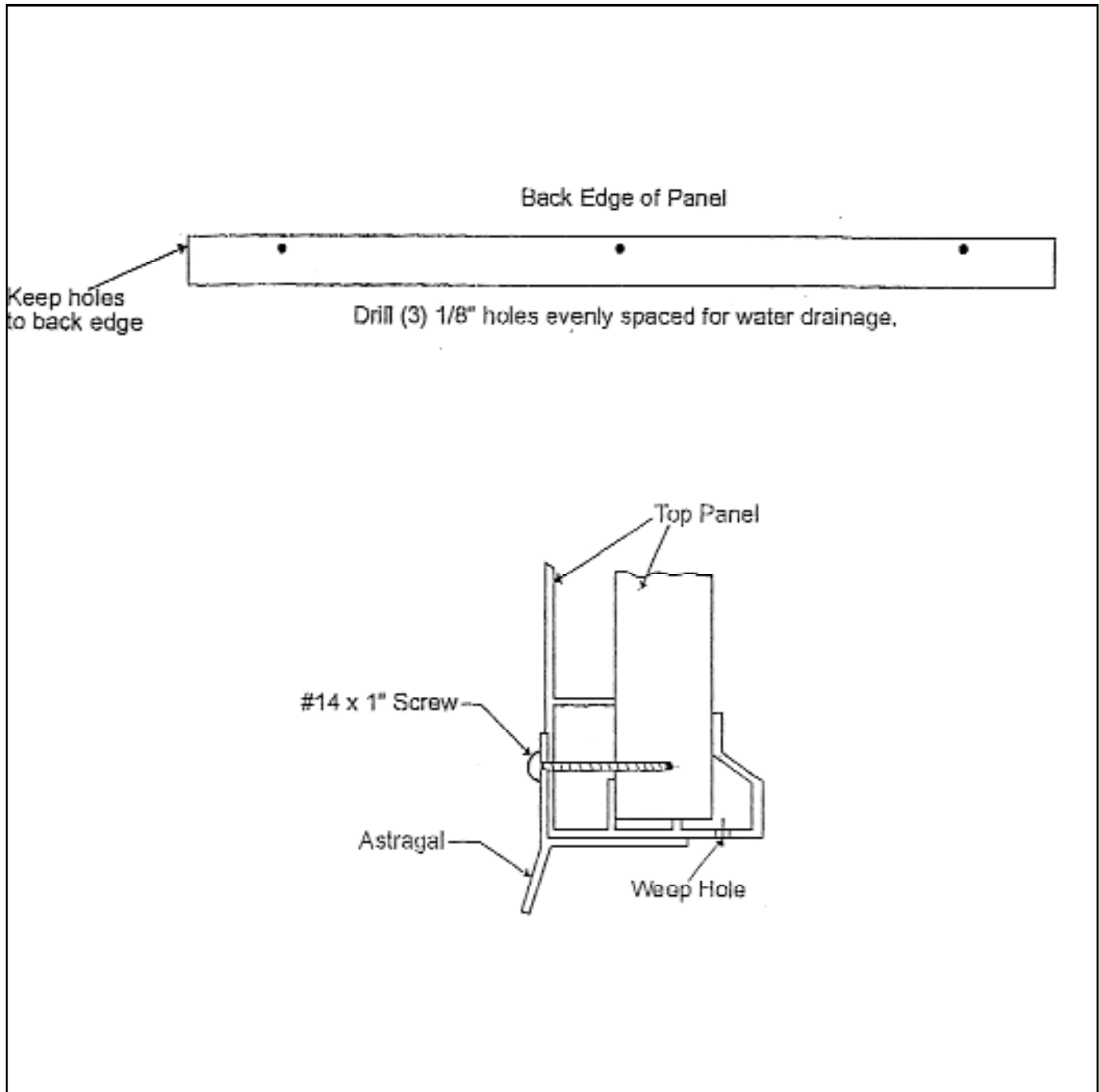


FIGURE D



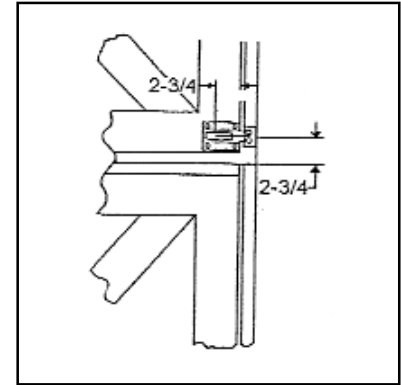


Drill a 5/8" dia. hole through panel as shown in Figure E. Using door latch as template, drill four 1/8" dia. holes through aluminum trim pieces on outside of panel only. Install door latch with four #8 x 1" flat head screws.

Install inside handle using two #8 x 1" flat head screws. Mount strike plate to door jamb as shown in Figure E. Pre-drill four holes using a 9/64" dia. drill. Mount strike using four thread cutting under cut flat heads.

NOTE: Latch can be installed on either top panel (as shown) or on bottom panel.

FIGURE E



Install barrel bolt in inside of top panel as shown in Figure F using six #8 x 3/4" flat head screws and one shim plate. Mount strike plate to inside of bottom panel as shown in Figure F using four #8 x 3/4" flat head-screws. A pre-drilled hole of approximately 3/32" is recommended.

FIGURE F

