



DOUBLE TRUCK ADJUSTABLE TROLLEY HANGERS INSTALLATION INSTRUCTIONS

643437 & 714423 Steel Trolley Hanger | 713829 & 714420 Delrin Trolley Hanger

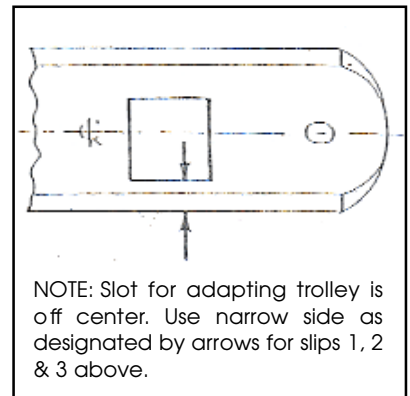
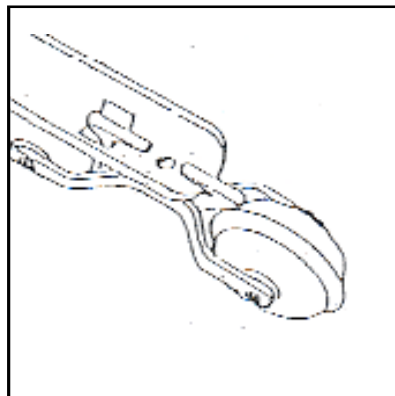
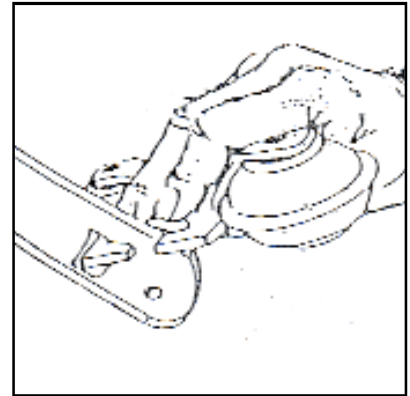
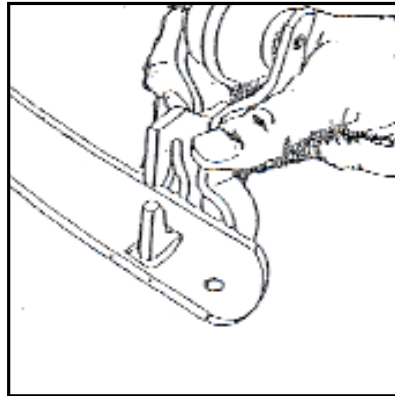
How to adjust Trolley Hangers

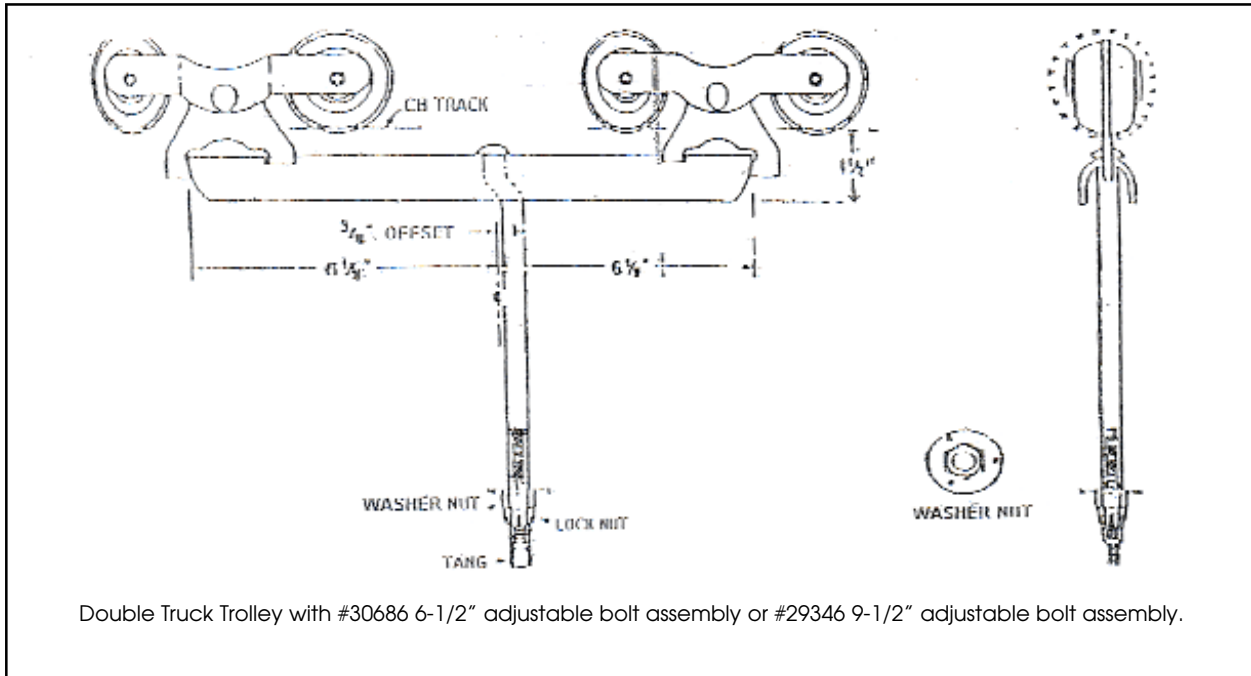
to move hung door UP or DOWN...

1. Loosen locknut while holding washer nut with wrench.
2. With wrench on tang end of bolt, turn the bolt to the right or left until the door has reached the desired height.
3. Secure door position by tightening locknut against washer nut. Hold washer nut with wrench while setting locknut.

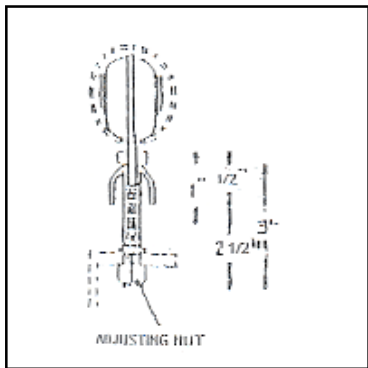
to move hung door IN or OUT...

1. Loosen locknut while holding washer nut with wrench.
2. Turn tang end of bolt until the door has moved in or out to the desired position. Offset pendant bolt provides overall lateral adjustment of 3/4 inch.
3. Secure door position by tightening locknut against washer nut while holding tang end of bolt in place. Hold washer nut with wrench while setting locknut.





| Specifications |
|--|
| DOOR THICKNESS: Variable |
| DOOR LEAF WEIGHT: Up to 1200 lbs. per pair with 13ga. track and brackets 12" on center; up to 1000 lbs. per pair with 14ga. track and brackets 12" on center |
| TRACK DIAMETER: 2-7/16" |
| VERTICAL ADJUSTMENT: Variable to within 1-3/4" of track |
| LATERAL ADJUSTMENT: 6-1/2" & 9-1/2" Lg. Bolt 3/4" adj. 3" Lg. Bolt - Slotted Frame Req'd |
| SUSPENSION BOLTS: 1/2" Dia. Zinc-Plated Bolts |



Double Truck Trolley with #14013 short bolt assembly. For use on Metal Doors.

