



711201 SIDE MOUNTED SNUGGER

FOR METAL HORIZONTALS

Select a horizontal door member that is at a convenient height and drill (1) $17/32$ " diameter hole as shown. Next, drill (1) $9/32$ " diameter hole in the vertical door member. Refer to **figure 14** for hole location.

Insert snugger rod into the hole in the horizontal door member. Secure opposite end of snugger rod to the vertical member using (1) $1/4$ " fastener and nut as shown in **figure 15**.

Before installing the second half of the snugger to the face of the door jamb, close the door. (Door must have a center stop, or otherwise held stationary.) Secure rod support "A" to door jamb so as to be level with the horizontal door member as shown in **figure 16**. (Rod support fasteners are not supplied.) Slip large link on the end of the chain over the rod and insert rod into rod support "A". Put rod support "B" on opposite end of rod. Offset rod support "B" 1.0" from rod support "A" as shown. Secure support "B" to door jamb.

After making certain the "S" hook is in the proper link (latched chain should be about 6" from the top of horizontal member), close the "S" hook slightly so it will not become detached from chain.

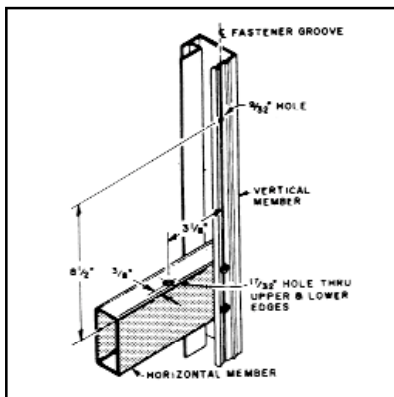


FIGURE 14

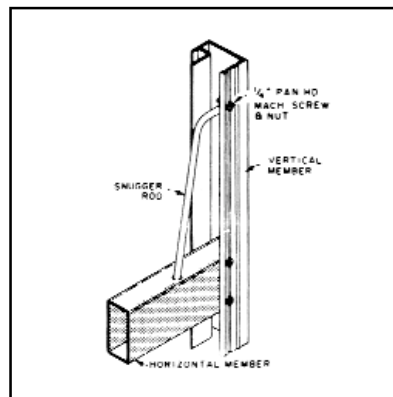


FIGURE 15

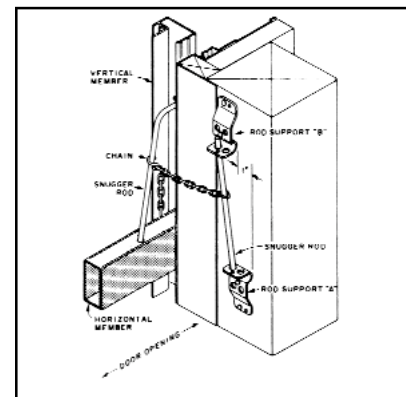


FIGURE 16