



# 711200 CENTER MOUNTED SNUGGER

## FOR METAL HORIZONTALS

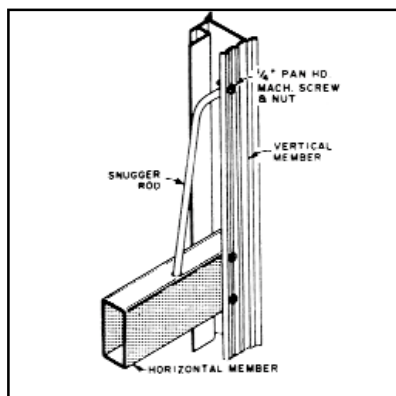
Select a horizontal door member that is at a convenient height and drill (1) 17/32" diameter hole as shown. Next, drill (1) 9/32" diameter hole in the vertical door member. **See figure 12.**

Slip the larger link on the end of the chain over the snugger rod, and insert snugger rod into the 17/32" hole in the horizontal door member. Secure opposite end of snugger rod to vertical member using (1) 1/4" fastener and nut. **See figure 13.**

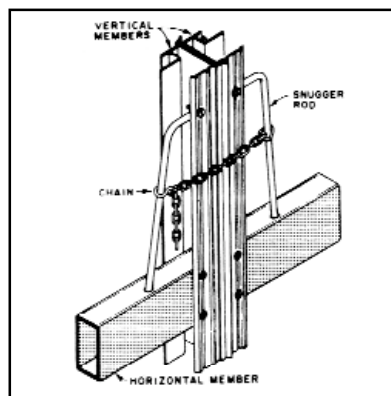
Install the second half of the snugger rod in the other door, following the above procedure except that no chain link is put on the rod.

Attach the "S" hook to the chain.

To latch the two doors together, merely hook the "S" hook onto the snugger rod as shown. The more the door rattles, the tighter the latch becomes. After making certain the "S" hook is in the proper link (latched chain should be about 6" from top of horizontal member), close the "S" hook slightly so it will not become detached from chain. **See figure 13.**



**FIGURE 12**



**FIGURE 13**