



643404 WOOD FRAME DOOR SNUGGER INSTALLATION INSTRUCTIONS

Select a horizontal door member that is at a convenient height. Drill one 9/32 diameter hole in the vertical door member. **(See figure 10)**. Slip rod support on straight end of snugger rod and properly position assembly to determine proper location of rod support. Fasten rod support with (2) ring nails as shown.

Install the second half of the snugger rod in the other door, following the above procedures except that no chain link is put on the rod.

Attach the "S" hook to the chain.

To latch the two doors together, merely hook the "S" hook onto the snugger rod as shown. The more the door rattles, the tighter the latch becomes. After making certain the "S" hook is in the proper link (latched chain should be about 6" from top of horizontal member), close the "S" hook slightly so it will not become detached from the chain. **(See figure 11)**.

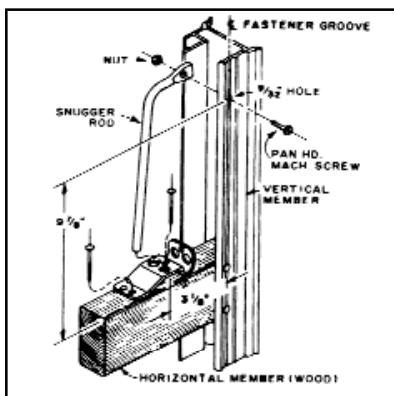


FIGURE 10

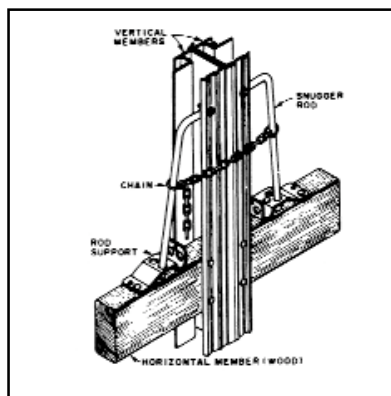


FIGURE 11