

SINGLE SLIDING DOOR

KIT INCLUDES:

- 2 verticals **A**
- 1 bottom rail **B** with rear stop **C**
- 1 stay guide for a least 60% of the door width **D**
- Steel horizontals. (One for every two feet of height) **E**
- 2 side snuggers **F**
- 1 door pull **G**

DOUBLE SLIDING DOOR

KIT INCLUDES:

- 3 verticals **A**
- 1 vertical double couple **H**
- 2 bottom rails **B** with stops **C**
- 2 stay guides for at 60% of the door width **D**
- Steel horizontals. (One for every two feet of door height - for each door section) **E**
- 2 side snuggers **F**
- 1 center snigger **I**
- 2 door pulls **G**

TRACK (A variety of cover options available):

- Track **K** should be twice the width of door opening.
- One track bracket for every two feet of track.

TROLLEYS:

- A single slider requires two trolleys **L**
- A split sliding door requires four trolleys **L**

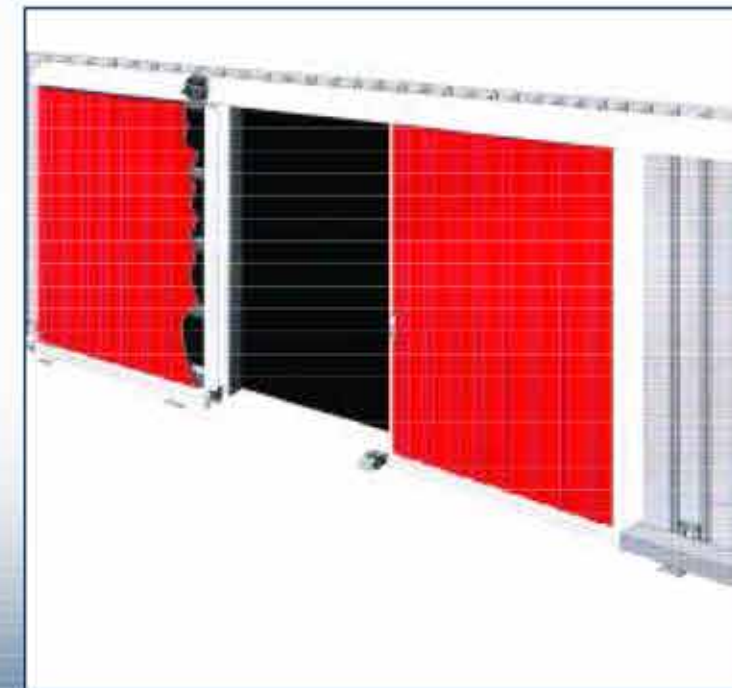
Note: Contact factory for triple or bypassing door applications.



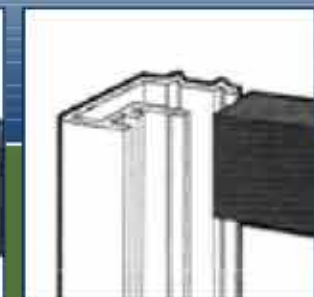
"Nobody does it better!"



Sliding Door Systems



100 Series Kwik Frame
For leaves up to 8'



200 Series Kwik Frame
For leaves up to 12'



300 Series Big Frame
For leaves over to 12'

assembly and installation

Fast, Easy Assembly | All Metal Construction for Strength | Pre-Finished for Low Maintenance

ASSEMBLING AND INSTALLING SLIDING DOORS

STEP ONE.

Measure the opening, width first, then height. Allow for 1-1/2" to 3" overlap on the width and a 3/4" to 1" overlap on the height. If using the Stay guide II Guide Rail System, subtract 2" from the height for the bottom rail (#210, #244 or #394). Also make sure to allow for proper clearance of grade.

STEP TWO.

Cut all vertical rails to height determined in Step 1.

STEP THREE.

Cut all intermediate horizontals to width determined in Step 1. Horizontals should be spaced no more than 24" on center. Cut bottom rail to same width as horizontals. Select a horizontal for use as a top rail and drill a 17/32" hole centered 1" in from inward face and 12" (24" for doors 12' and over) in from each end for mounting trolleys (one hole on each end).

(Notes: For double leaf doors, cut horizontals and bottom rails to half of width measured in Step 1 and build two (2) top rails. When using Big Frame, three (3) horizontals should be used face-to-face to form the top rail and #714424 Support Plate should be used to mount trolleys.)

STEP FOUR.

Select a clear, level surface and lay vertical rails in place with J-trim facing upward. Insert top rail in one end of vertical rails, insert all remaining horizontals evenly spaced or roughly 24" on center, and insert bottom rail with ribs facing upward (Figure A). Secure the grid using a single #8 self-tapping screw at each of the four corners. All screws should be installed through the extruded grooves in the verticals (See Figure B).

STEP FIVE.

To square the door, measure diagonally from corner to corner for both diagonals and adjust rails as needed until both measurements are equal (Figure C). Once both diagonals are equal, install a second #8 screw in each corner.

STEP SIX.

Carefully turn the frame assembly over and re-square the door. Once both diagonals are equal, install two (2) #8 screws in each corner joint. Secure all intermediate horizontals with four (4) screws per joint (two per side). (See Figure D).

FIGURE A.

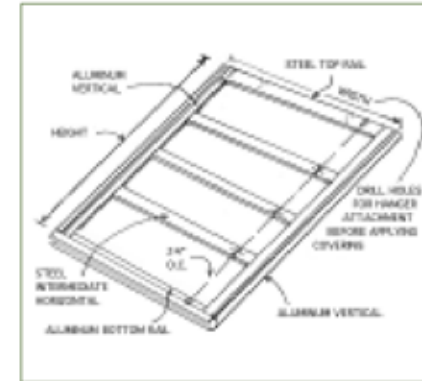


FIGURE B.

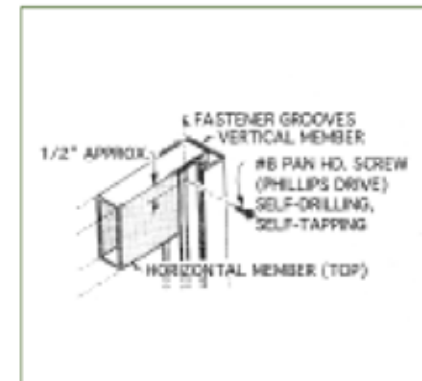


FIGURE C.

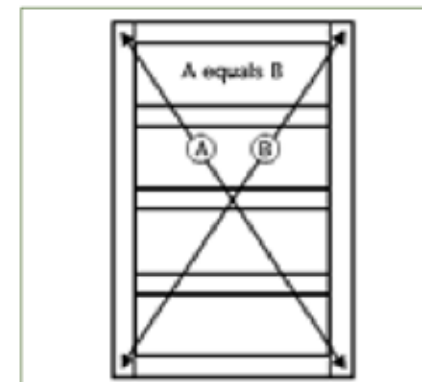
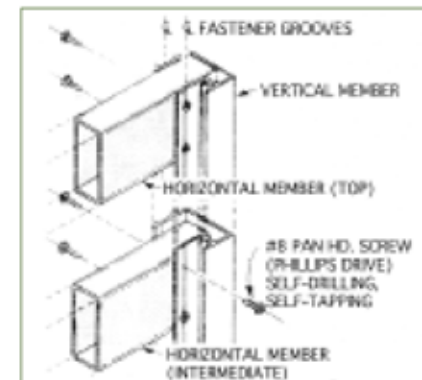


FIGURE D.



STEP SEVEN.

Install door skin into built-in J of the verticals and secure to girts. Install trolley hangers to top rail in holes drilled in Step 3. For multi-leaf doors, repeat Steps 4 through 7 for each leaf of door.

STEP EIGHT.

Install door track. Track should be double the door opening width. Attach brackets to track 24" on center (12" on center for doors over 600lbs.). Position track as needed to allow for proper door opening and overlap. Level and attach track to track plank using 10 gauge ring shank nails or 5/16" lag bolts at least 1-1/2" in length.

STEP NINE.

Position the door leaf beneath one end of the track and lift vertically to install the trolley into the track. Lift the opposite end of the door and hold the door parallel to the track. Carefully slide the door forward until the second trolley can be installed in the track (Figure E). Position door to allow access to trolley bolts to adjust in-or-out and up-or-down until the door rolls freely in the track without interference. Install end caps, flashings, trims. Install door stops at fully opened and fully closed positions. Install any remaining pulls, latches, rollers, or snuggers.

STEP TEN.

Stay Guide II Installation (where applicable). With door in the full open position, draw a line on the face of the building along the bottom edge of the bottom rail. Slide the door to the fully closed position. Turn the guide rail upside down so that the slots are visible. Hold the guide rail flush to the edge of the door opening and mark the slot locations one (1) inch above the pencil line (Figure F). Install wall brackets with nailer holes on the vertical leg using the lag screws provided (Figure G). Bolt guide rail to brackets, finger tight, using included fasteners. Adjust rail for proper door clearance and secure all fasteners (Figure H).

FIGURE E.

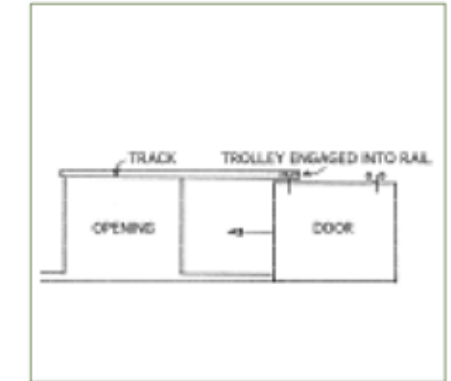


FIGURE F.

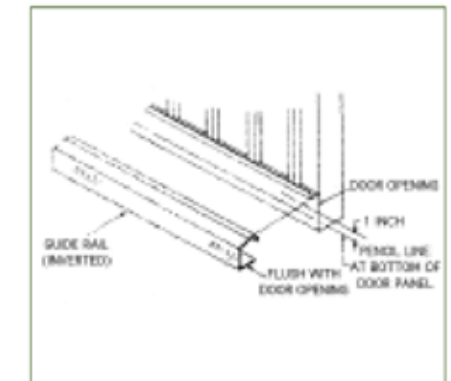


FIGURE G.

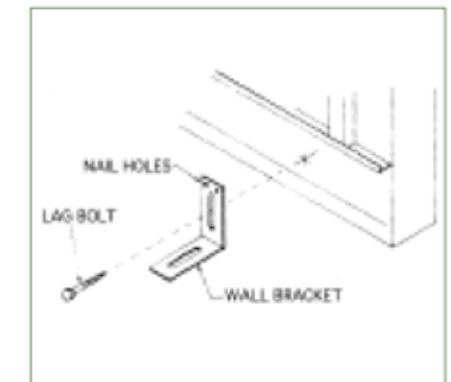


FIGURE H.

